

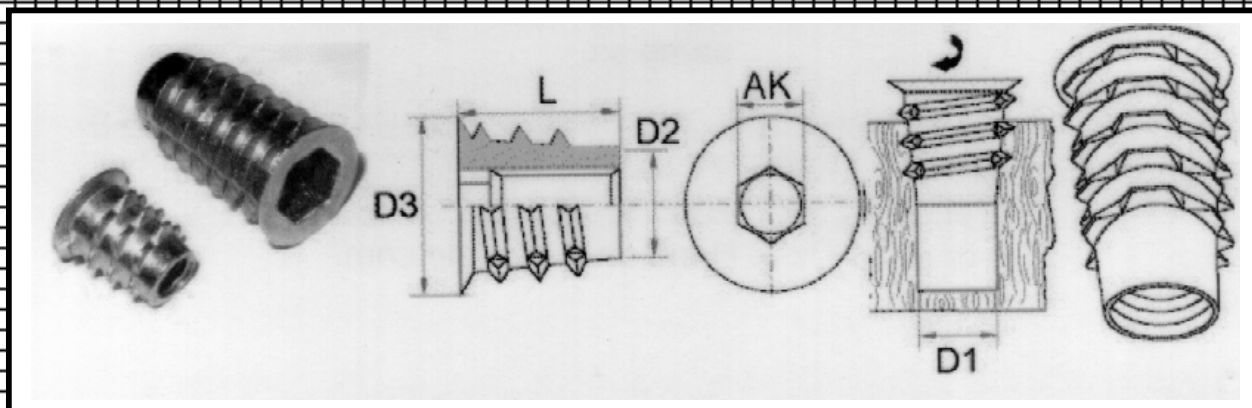
TECHNICAL DATA

THIS DOCUMENT IS NOT CONTRACTUAL

41/TBH

INSERT HEXAGONAL HOLLOW INDENTATION TO BE SCREWED IN WOODS

6 rue Nationale 92100 BOULOGNE-BILLANCOURT Tél : 01 46 21 05 32 Fax : 01 46 21 00 76



REFERENCE	METRIC THREAD	LENGTH	D1	D2	D3	AK
	M	L				
41/TBH040H100	M4	10	5.7/6	5.5	8.5	4
41/TBH050H100	M5	10	7.7/8	6.5	11.5	5
41/TBH050H130	M5	13	7.7/8	6.5	11.5	5
41/TBH060H100	M6	10	8.7/9	7.5	12.5	6
41/TBH060H130	M6	19	8.7/9	7.5	12.5	6
41/TBH060H200	M6	20	8.7/9	7.5	12.5	6
41/TBH060H250	M6	25	8.7/9	8	12.5	6
41/TBH080H100	M8	10	10.7/11	9.5	14.5	8
41/TBH080H130	M8	13	10.7/11	9.5	14.5	8
41/TBH100H130	M10	13	12.2/12.25	11.5	16	10
41/TBH100H250	M10	25	12.2/12.25	11.5	16	10